

结构特点 Design features

- 内装、单端面、金属波纹管、平衡型、旋转式密封；
 - 波纹管下设置拨叉传动，提供更大的传动动力，并有效减小波纹管上的扭转应力，任意旋向，结构简单、紧凑，安装方便，泄漏点少，密封性能可靠；
 - 优越的追随性和补偿能力，抗震能力强，所使用的材料广泛，环境适应能力强，具有优异的高温性能。
-
- Internally mounted, single face, metal bellows, balanced, rotary type seal.
 - By means of shifting fork drive, any rotation direction, compact construction. It can be mounted conveniently.
 - With superior performance of the compensation, material widely used, adaptive capacity, and a high temperature performance.

材料 Materials(to DIN24960)

- 旋转环 Rotary Ring: A、U22、Q12
- 静止环 Stationary Ring: U2、Q1
- 辅助密封 Auxiliary Seal: G
- 波纹管 Bellows: Y、M、M6
- 其他结构件材料 Other Parts: G、G1、T4、M



适用范围 Operating limits

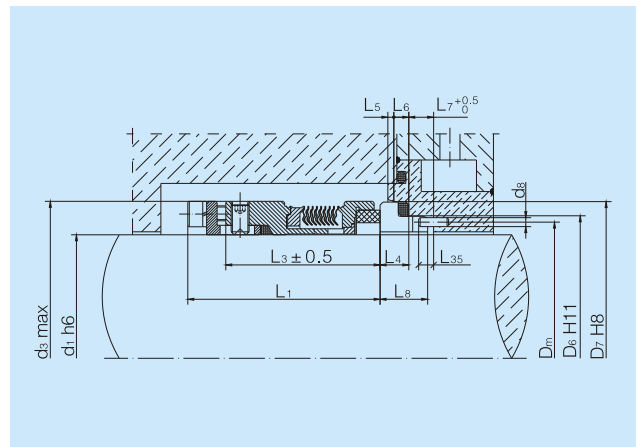
- 压力 Pressure: 真空(Vacuum)~2.0MPa(单层波片 Single-Ply)
真空(Vacuum)~6.9MPa(双层波片 Doubly-Ply)
- 温度 Temperature: -75~420℃
- 线速度 Speeds: ≤50m/sec
- 粘度 Viscosity: ≤1.0Pa.s(1000cp)软对硬(Soft VS Hard)
≤3.5Pa.s(3500cp)硬对硬(Hard VS Hard)

用途 Applications

用于化工、石油化工、炼油、制冷、制药、造纸等工业的泵类的旋转轴密封。
Used in all types of rotating equipment, pumps. To suit industries such as general chemical, oil refining, petrochemical, pharmaceutical, pulp and paper, and waste water treatment.

介质 Medium

烃、热固性及粘性高温介质。
Hydrocarbon, thermosetting, viscosity high temperature medium.



Seal size d1	d3	D6	D7	Dm	d8	L1	L3	L4	L5	L6	L7	L8	L3.5		
025	1.000	25.40	47.63	41.50	47.63	38.5	2.38	59.5	43.66	6.6	2.0	4.0	6.1	11.1	4.0
028	1.125	28.58	50.80	44.70	50.80	41.5	2.38	60.3	44.45	6.6	2.0	4.0	6.1	11.1	4.0
030	1.250	31.75	53.98	47.90	53.98	44.5	2.38	60.3	44.45	6.6	2.0	4.0	6.1	11.1	4.0
033,035	1.375	34.93	57.15	54.20	60.33	50.0	3.00	62.7	46.84	7.9	2.5	4.5	6.4	12.7	4.2
038	1.500	38.10	60.33	57.40	63.50	53.5	3.00	63.5	47.63	7.9	2.5	4.5	6.4	12.7	4.2
040	1.625	41.28	63.50	60.66	66.68	56.5	3.00	63.5	47.63	7.9	2.5	4.5	6.4	12.7	4.2
043,045	1.750	44.45	66.68	63.70	69.85	59.5	3.00	64.3	48.41	7.9	2.5	4.5	6.4	12.7	4.2
048	1.875	47.63	69.85	70.10	76.20	66.0	3.00	64.3	48.41	8.8	2.5	4.5	6.4	14.3	4.2
050	2.000	50.80	73.03	73.30	79.38	69.0	3.00	65.1	49.20	8.8	3.0	4.5	7.6	14.3	5.0
053	2.125	53.98	76.20	76.40	82.55	72.5	3.00	65.1	49.20	8.8	3.0	4.5	7.6	14.3	5.0
055	2.250	57.15	82.55	79.60	85.73	75.5	3.00	69.9	50.80	8.8	3.0	4.5	7.6	14.3	5.0
058,060	2.375	60.33	85.73	79.60	85.73	75.5	3.00	70.6	51.59	9.6	3.0	4.5	7.6	15.9	5.0
063	2.500	63.50	88.90	82.80	88.90	79.0	3.00	70.6	51.59	9.6	3.0	4.5	8.7	15.9	5.8
065	2.625	66.68	93.65	85.60	95.25	81.5	3.00	73.0	53.98	10.6	3.0	6.5	5.8	15.9	3.8
070	2.750	69.85	96.82	89.00	98.43	85.0	3.00	76.2	57.15	10.6	3.0	6.5	5.8	15.9	3.8
	2.875	73.03	101.60	92.20	101.60	88.0	3.00	76.2	57.15	10.6	3.0	6.5	5.8	15.9	3.8
075	3.000	76.20	104.78	95.30	104.78	91.5	3.00	76.2	57.15	10.6	3.0	6.5	5.8	15.9	3.8
080	3.125	79.38	107.95	98.50	107.95	94.5	3.00	76.2	57.15	10.6	3.0	6.5	5.8	15.9	3.8
	3.250	82.55	111.13	101.70	111.13	97.5	3.00	76.2	57.15	10.6	3.0	6.5	5.8	15.9	3.8
085	3.375	85.73	114.30	104.90	114.30	101.0	3.00	76.2	57.15	11.7	3.0	7.0	6.9	17.4	4.5
	3.500	88.90	117.48	108.10	117.48	104.0	3.00	76.2	57.15	11.7	3.0	7.0	6.9	17.4	4.5
090	3.625	92.08	120.65	111.20	120.65	107.0	3.00	76.2	57.15	11.7	3.0	7.0	6.9	17.4	4.5
	3.750	95.25	123.83	114.40	123.83	110.5	3.00	76.2	57.15	11.7	3.0	7.0	6.9	17.4	4.5